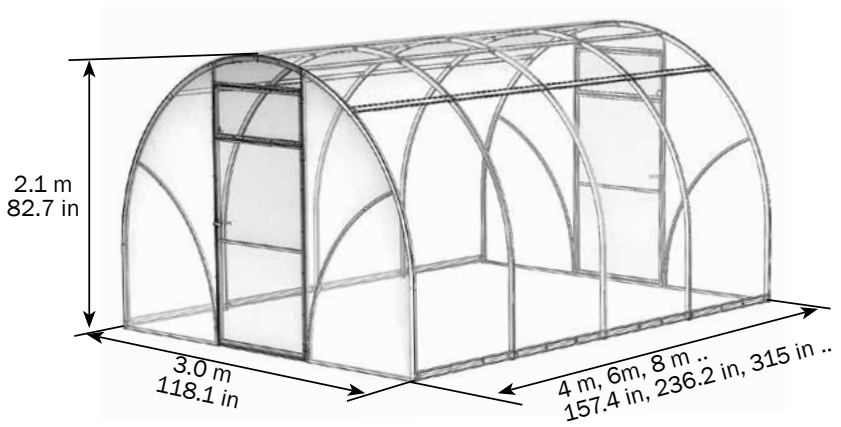
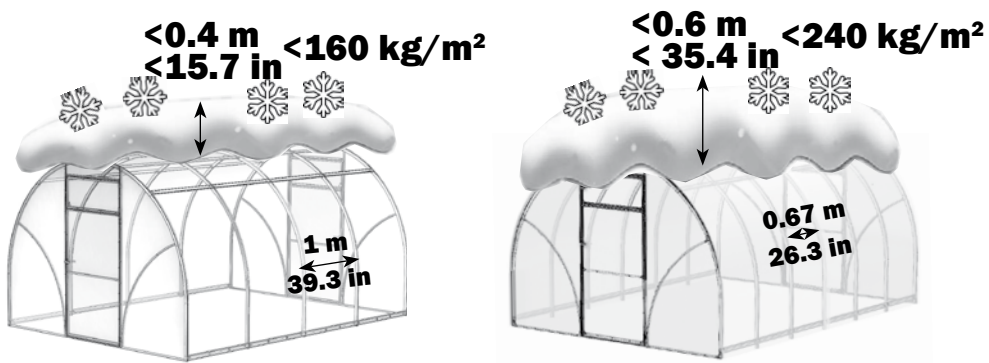
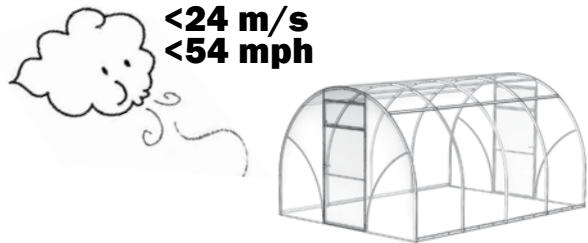
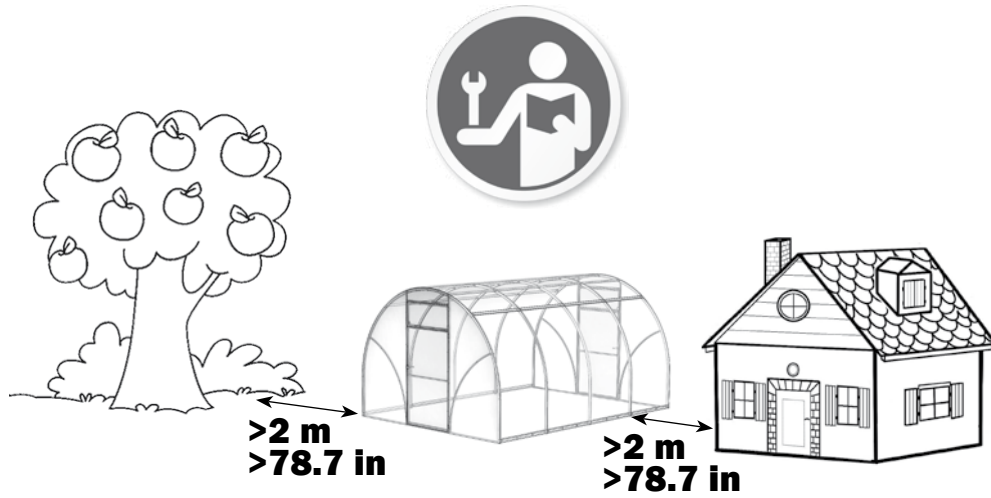
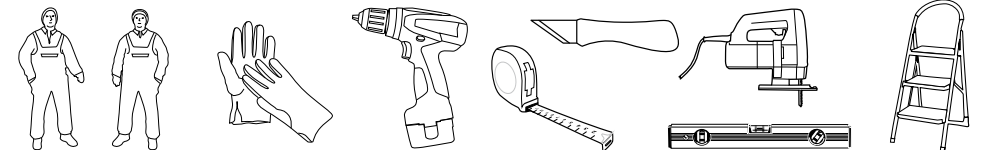


# SIGMA-C model 2022

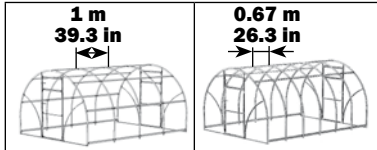
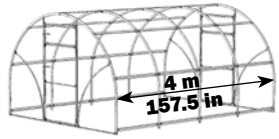




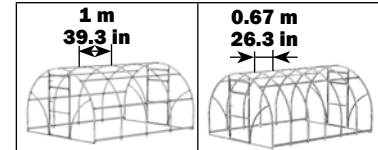
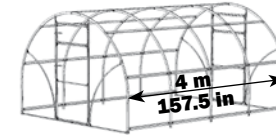
<b>L</b>		
<b>4 m</b> <b>157.5 in</b>	0	x 3
<b>6 m</b> <b>236.2 in</b>	x 1	x 4
<b>8 m</b> <b>315 in</b>	x 2	x 5
<b>10 m</b> <b>393.7 in</b>	x 3	x 6
<b>12 m</b> <b>472.4 in</b>	x 4	x 7
<b>14 m</b> <b>551.1 in</b>	x 5	x 8
<b>16 m</b> <b>630 in</b>	x 6	x 9
<b>18 m</b> <b>708.6 in</b>	x 7	x 10
<b>20 m</b> <b>787.4 in</b>	x 8	x 11



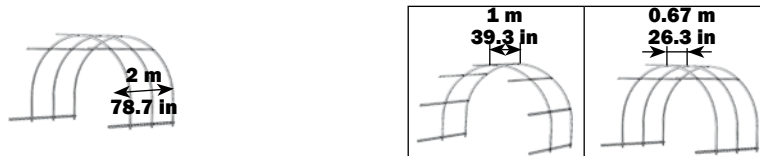
		No1 1 m	No1 0.67m	No2	No3	No4 1 m	No4 0.67m	No5 1 m	No5 0.67m	No6	No7 1m	No7 0.67m	No8*	No9* 1m	No9* 0.67m	No10* 1m	No10* 0.67m
 1 m 39.3 in  4 m 157.5 in	+			+	+	+							+	+			
	 2 m 78.7 in							+		+	+					+	
 0.67 m 26.3 in  4 m 157.5 in	+	+	+		+					+			+				
	 2 m 78.7 in				+			+			+						+


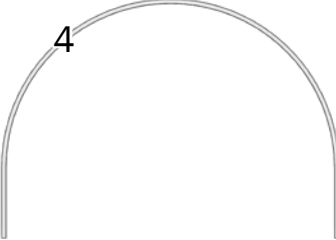


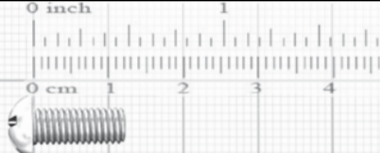

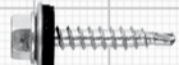

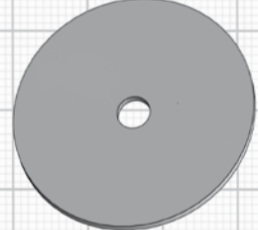


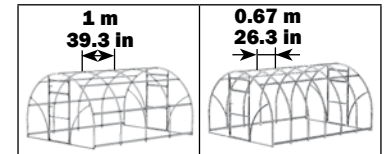
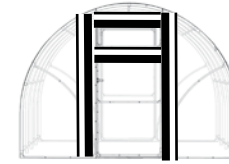
№ 1				
1			x 28	x 42
№ 2				
2			x 2	
№ 3				
3			x 3	
№ 4				
4			x 21	x 35
5			x 21	x 35
6			x 14	
7			x 8	
8			x 1	





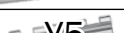
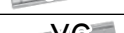
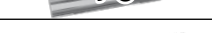


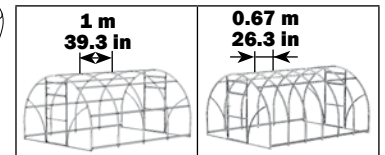
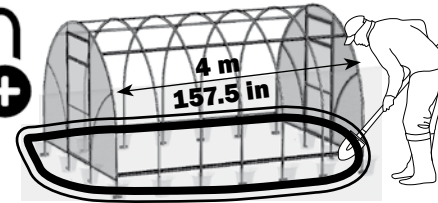
		x 4		
9	M6x16		x 4	
10	M4x12		x 56	x 84
11	M4x35		x 16	-
12	4.8x19		x 268	x 300
13	M4		x 72	x 84
14	M5		x 4	
15	M6		x 4	
16	10		x 4	
17	4x32		x 16	-
18			x 2	
19			x 2	
20			x 2	






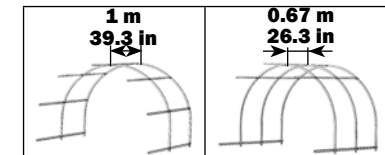
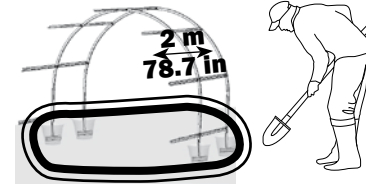
№5			
21		x 14	x 21
№6			
22		x 2	
№7			
23		x 14	x 21
24		x 14	x 21
25		x 28	x 42
26		x 8	-
27		x 34	x 49
28		x 36	x 42
29		x 8	-





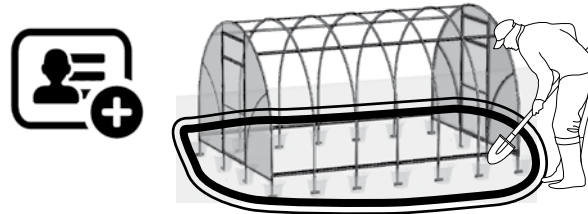
№ 8*			
1		0.75 m	x 2
2		0.75 m	x 2
3		0.75 m	x 2
4		0.75 m	x 2
5		0.41 m	x 2
6		0.41 m	x 2
7		0.85 m	x 4



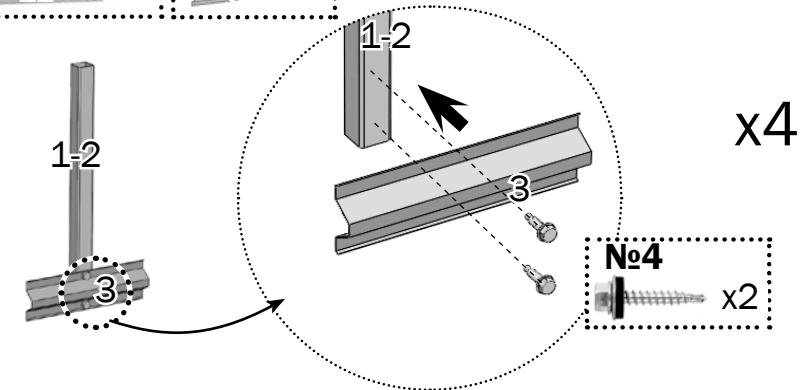
№ 9*			
1		0.33 m	x 10 x 14
2		0.26 m	x 4
3		0.2 m	x 14 x 18



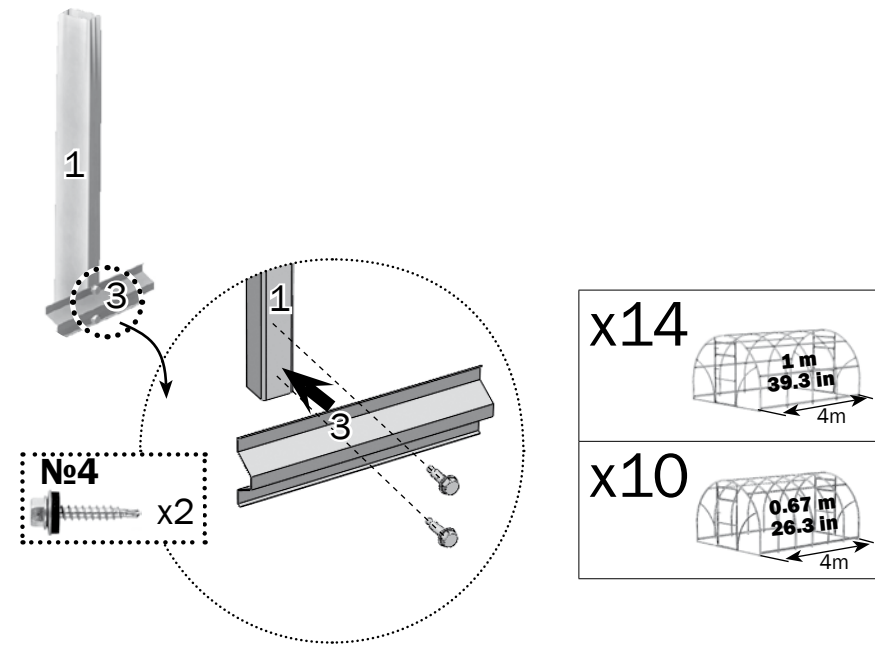
№10*			
1		0.33 m	x 4 x 6
3		0.2 m	x 4 x 6



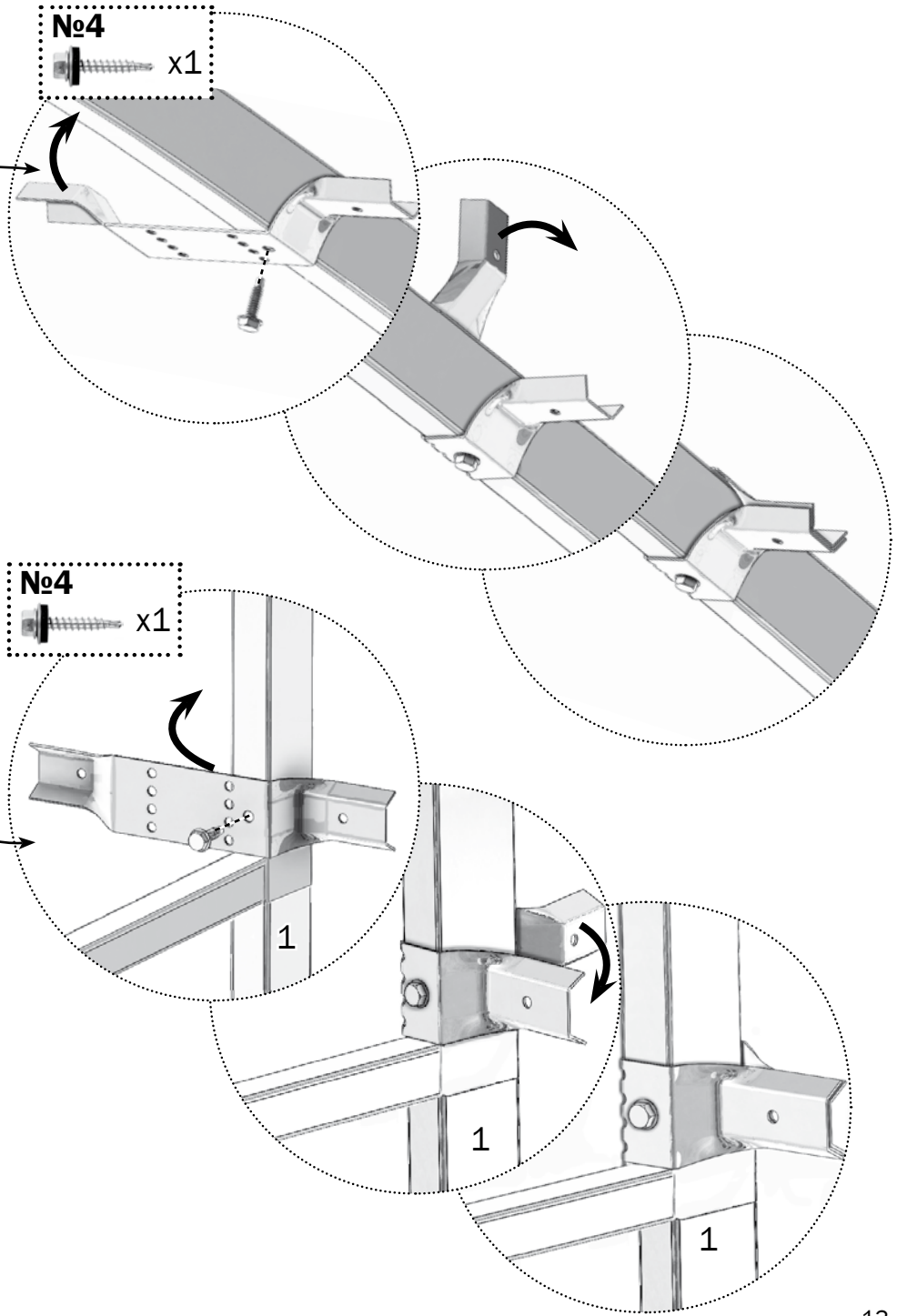
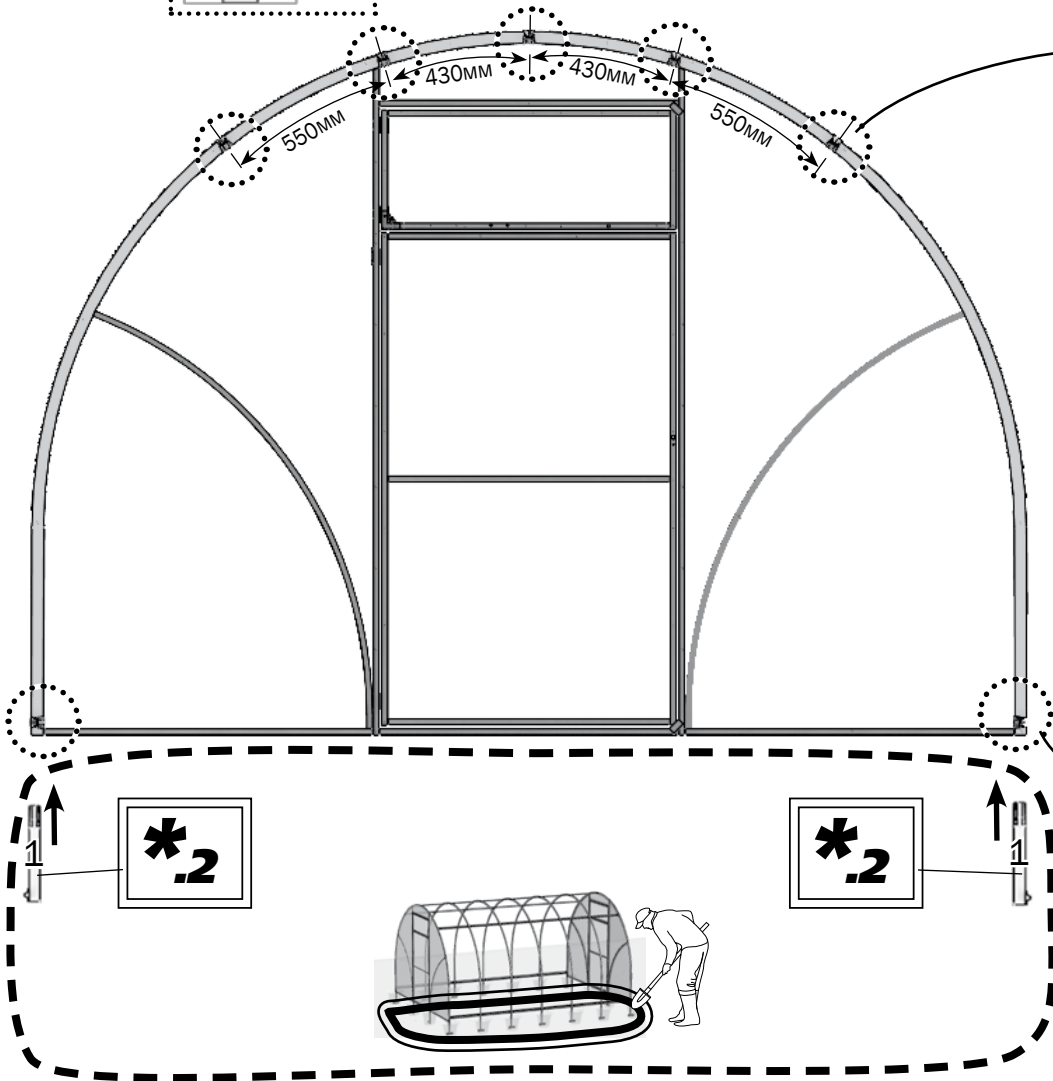
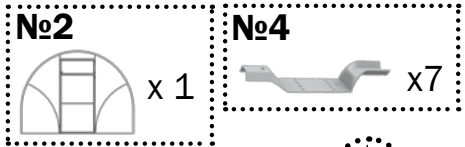
**\*.1** **№9\***  
 1-2 x1    **№9\***  
 3 x1



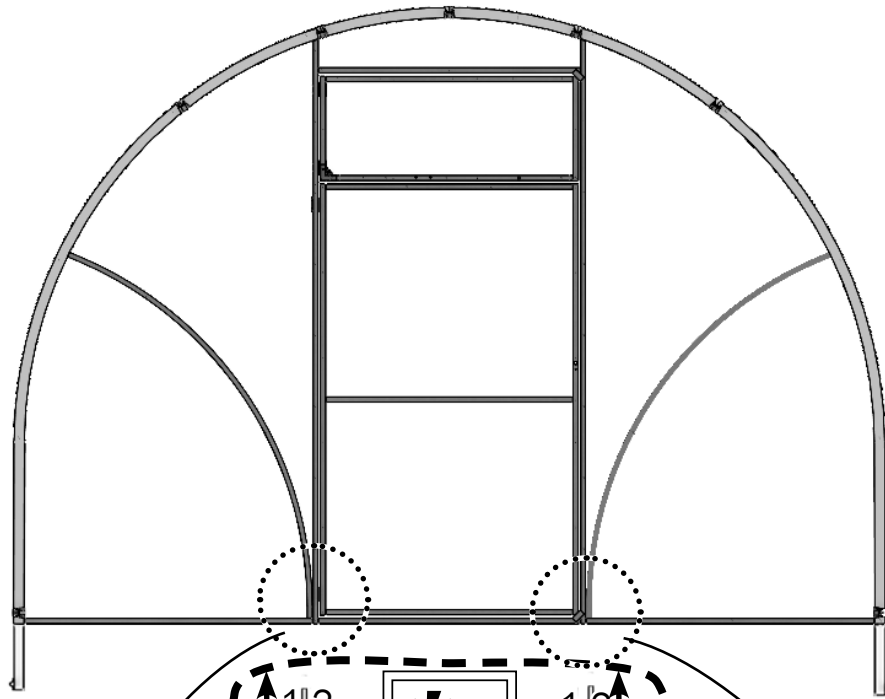
**\*.2** **№9\***  
 1 x1    **№9\***  
 3 x1



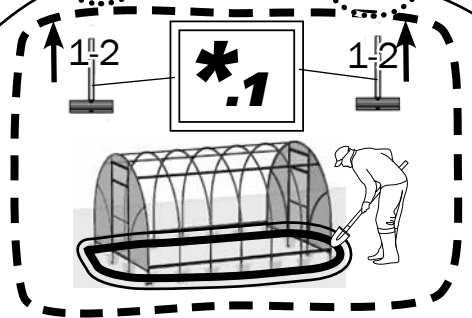
**1.1**



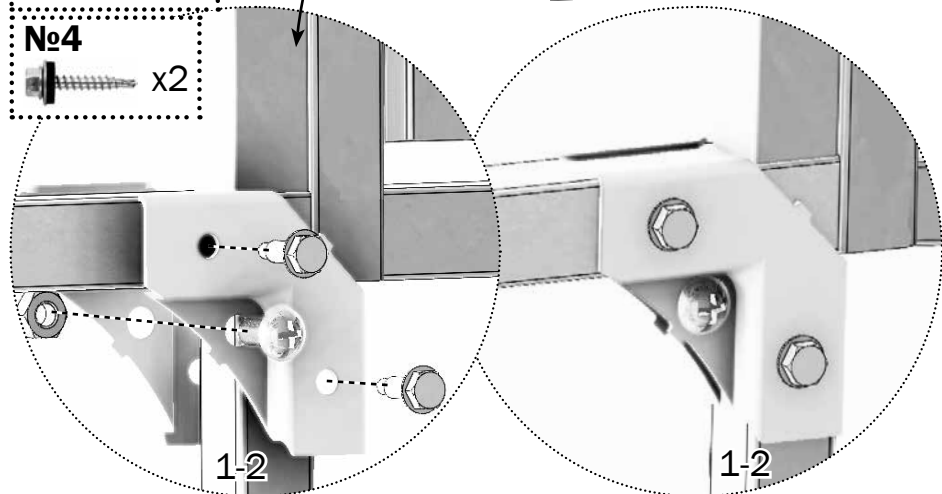
# 1.2



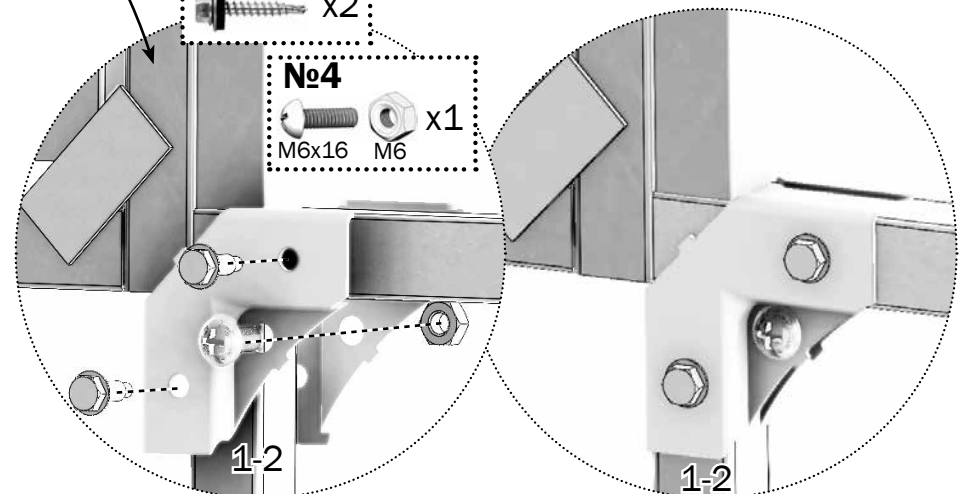
x2



- No4**  
M6x16 M6 x1
- No4**  
x2

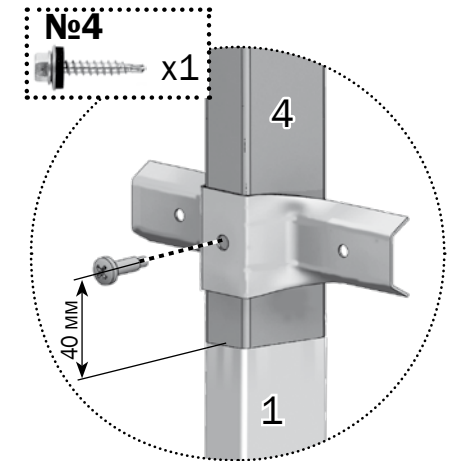
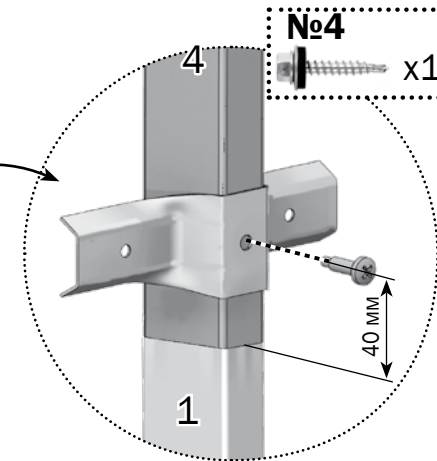
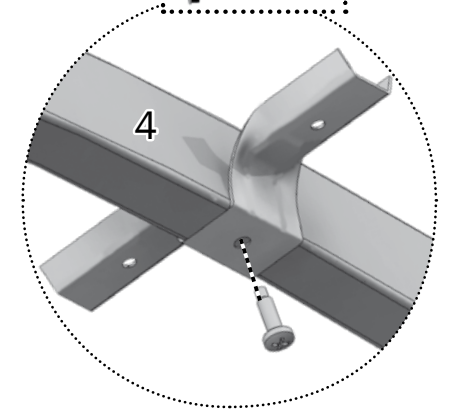
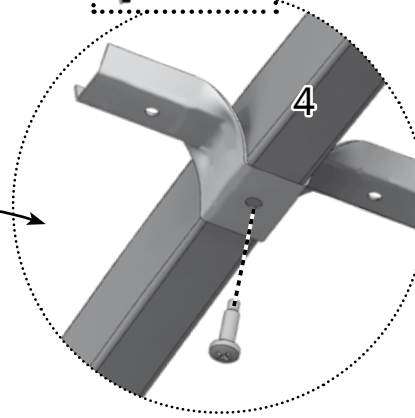
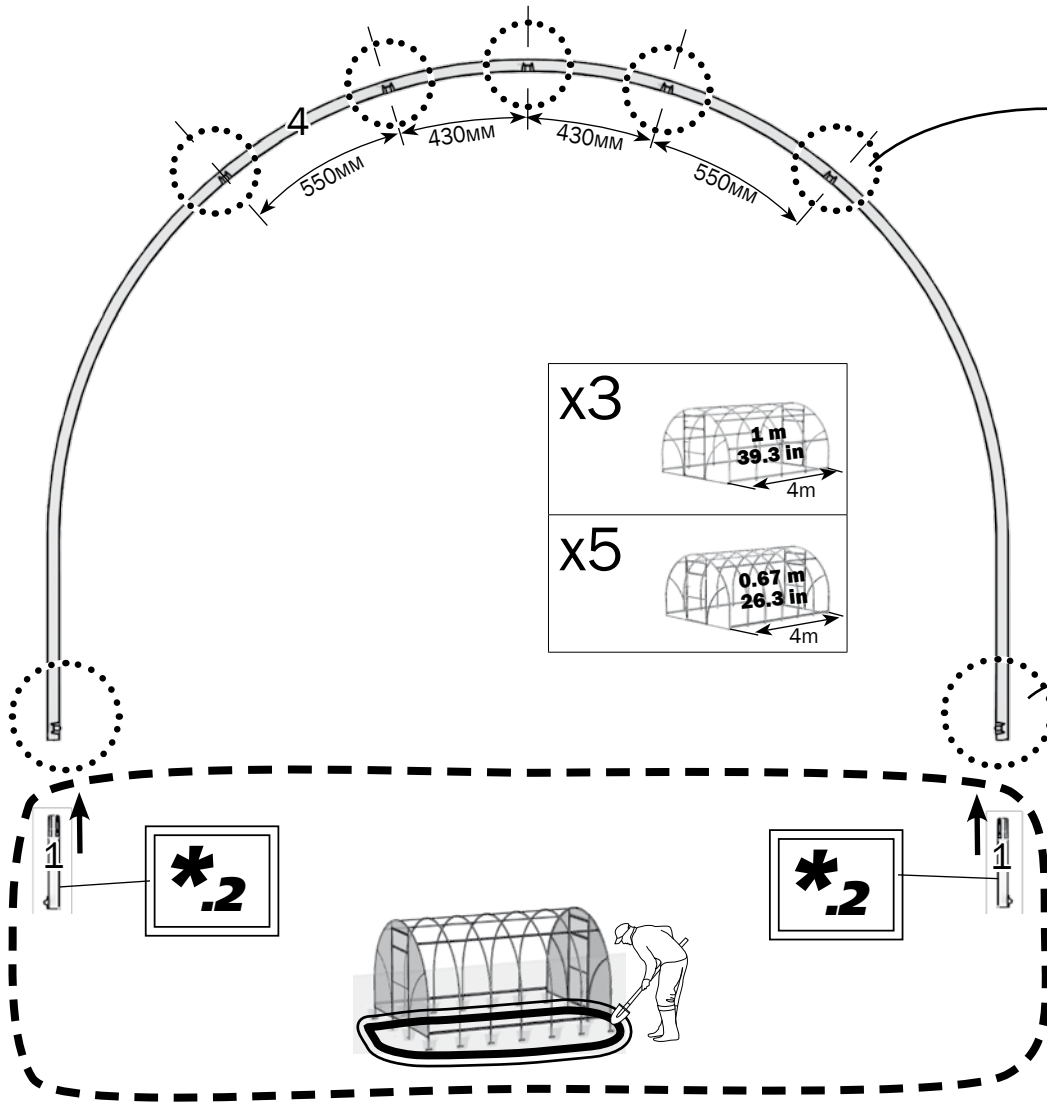
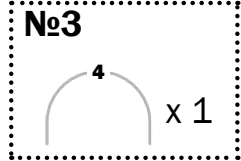


- No4**  
x2
- No4**  
M6x16 M6 x1

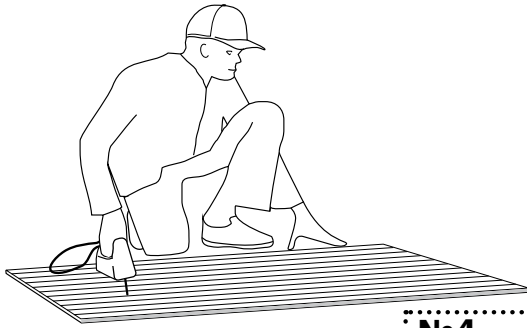




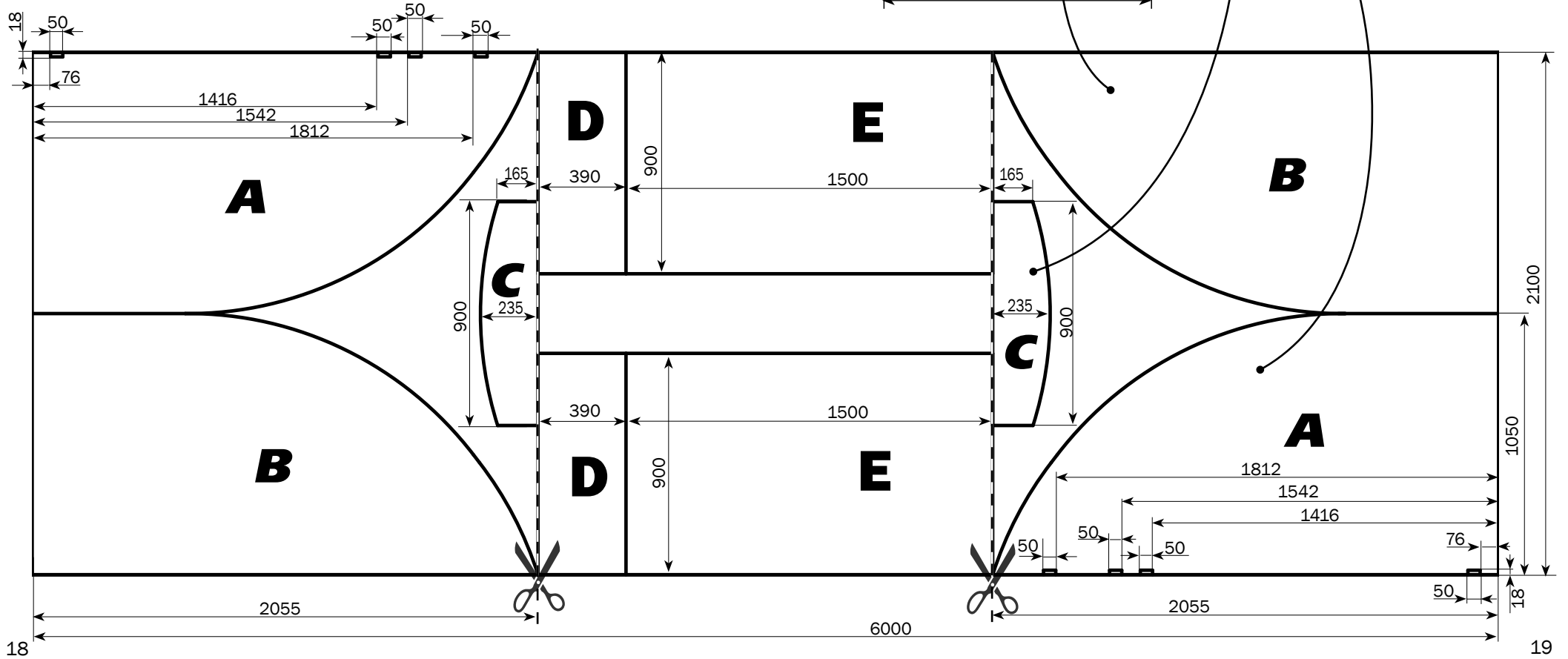
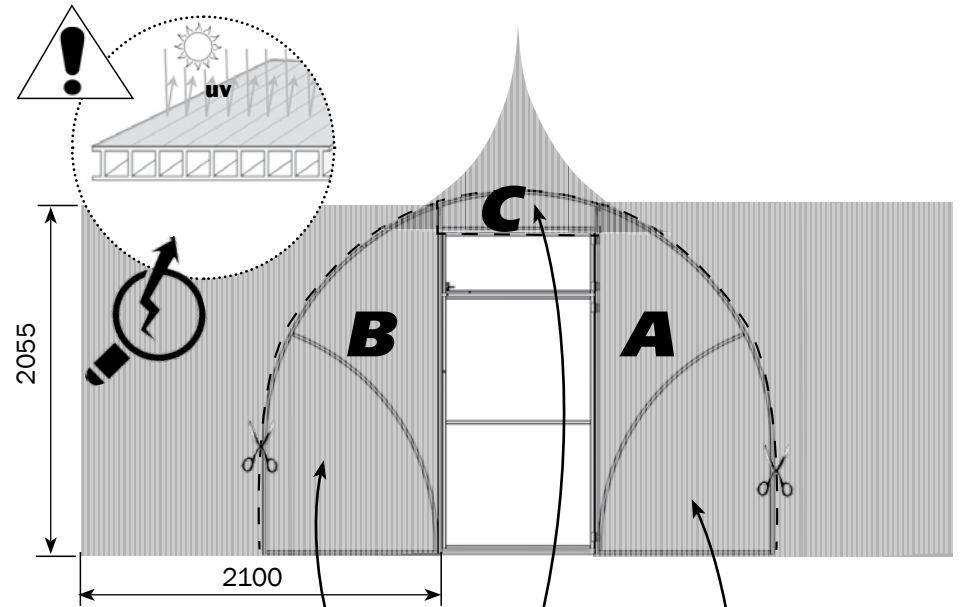
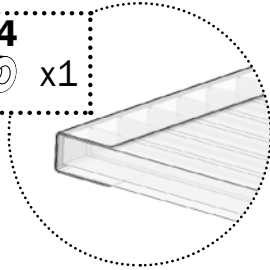
# 2



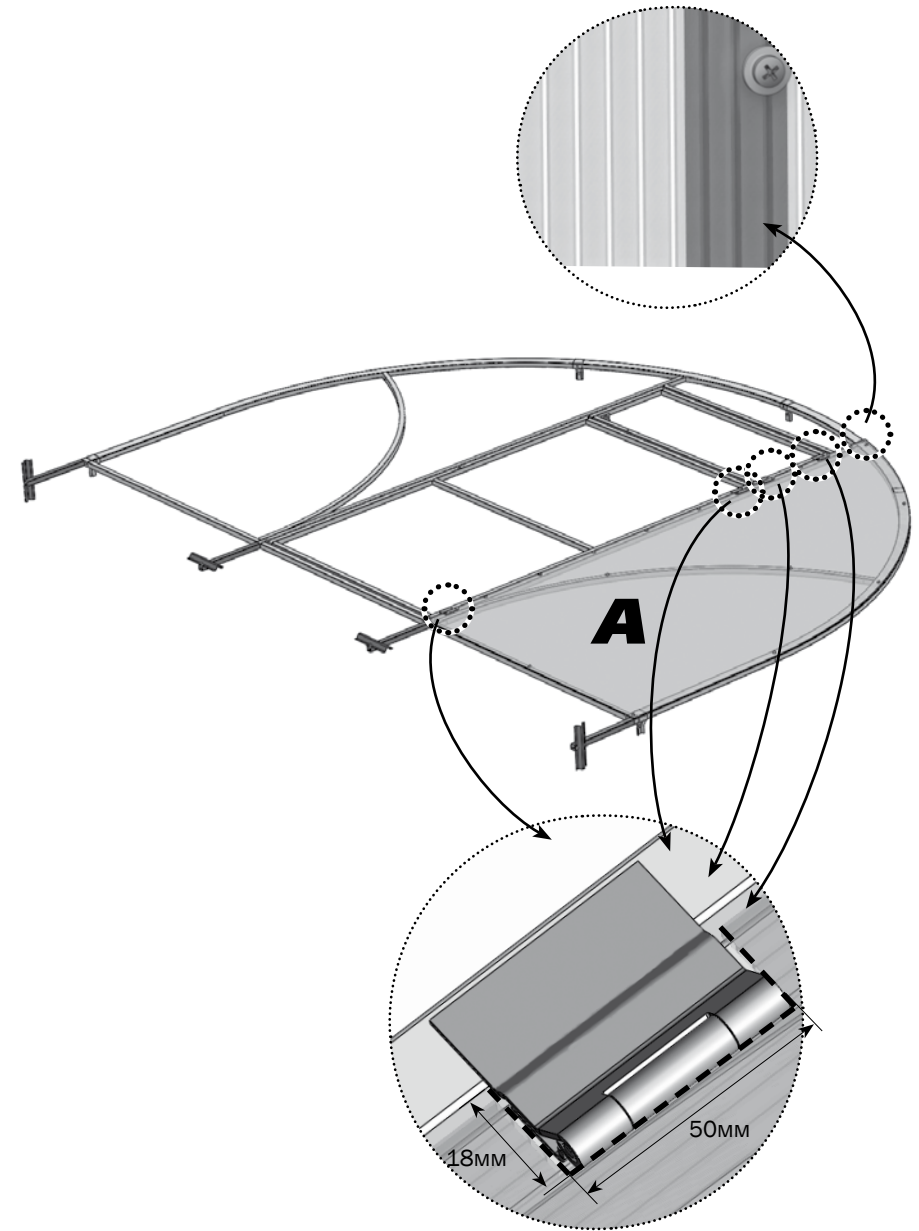
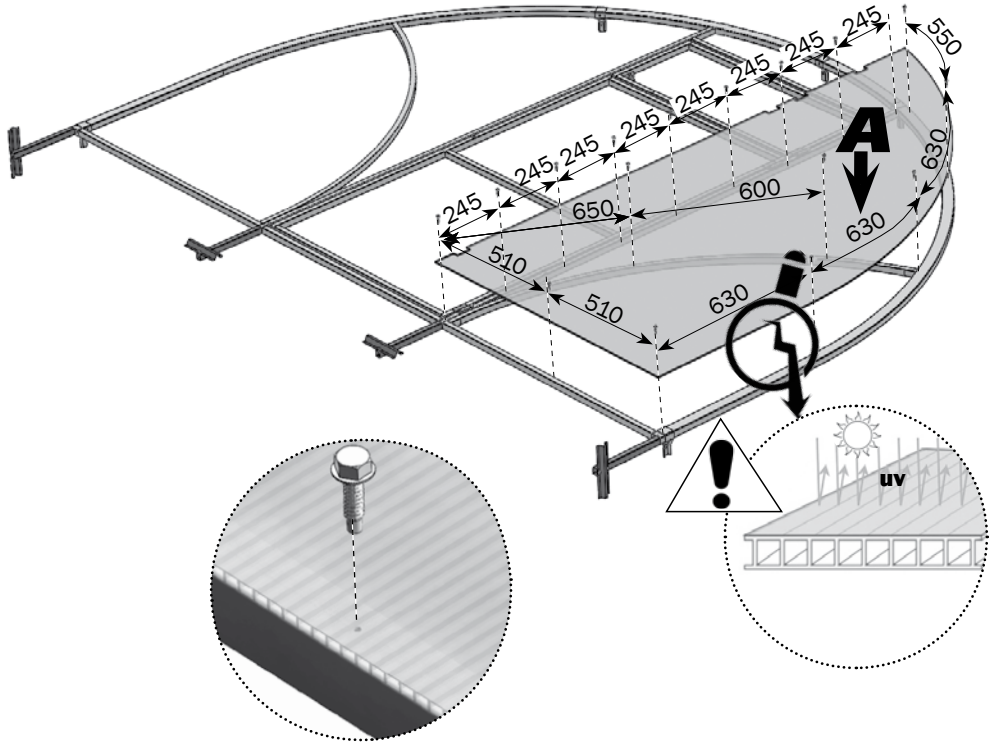
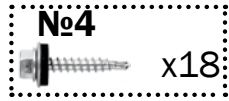
3



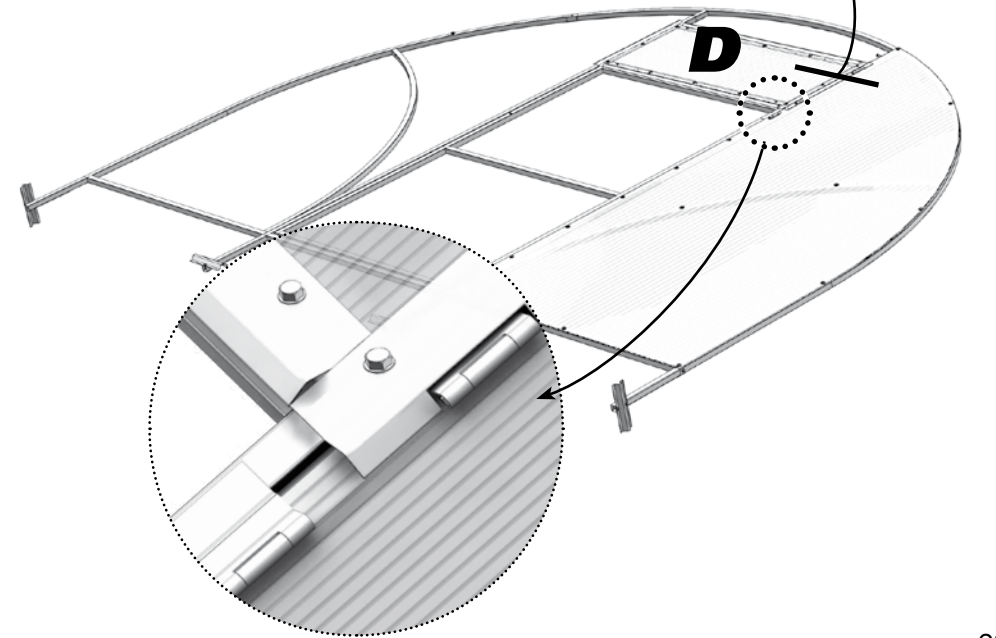
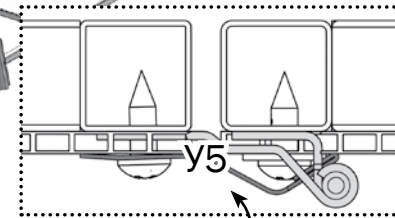
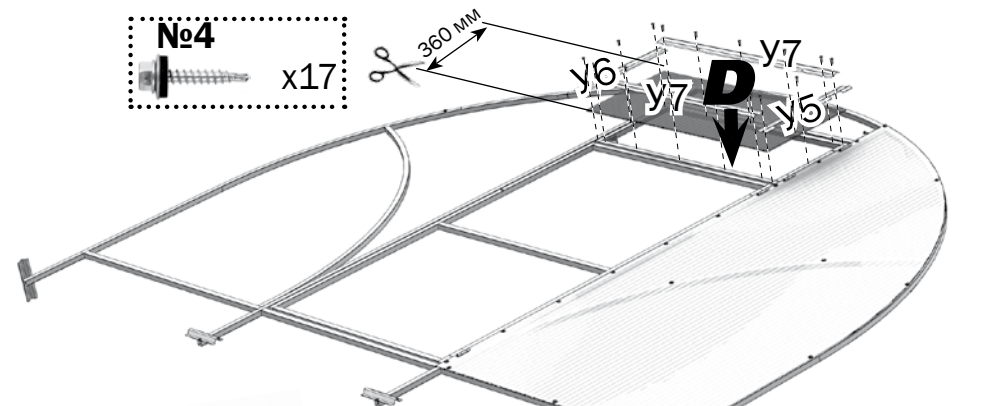
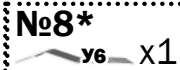
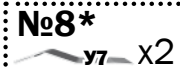
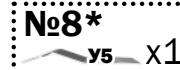
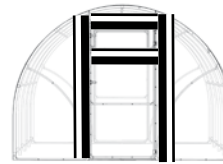
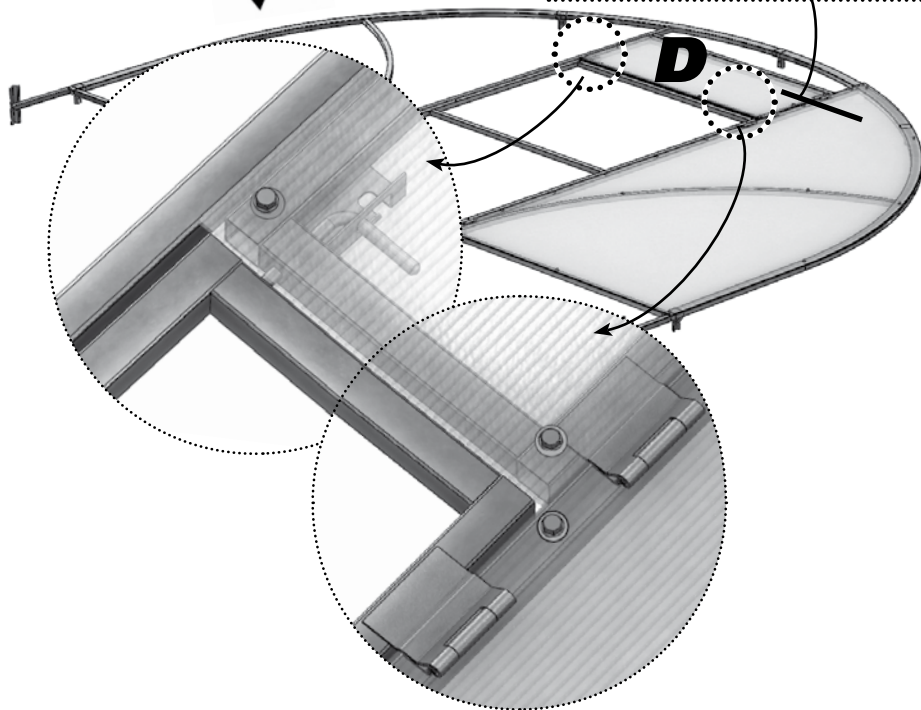
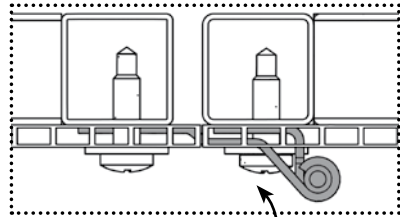
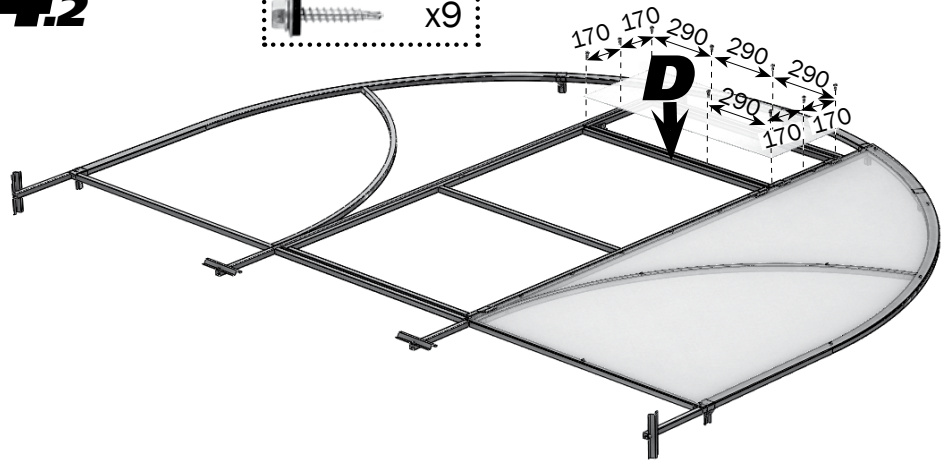
№4  
x1



# 4.1

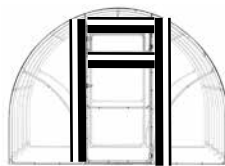
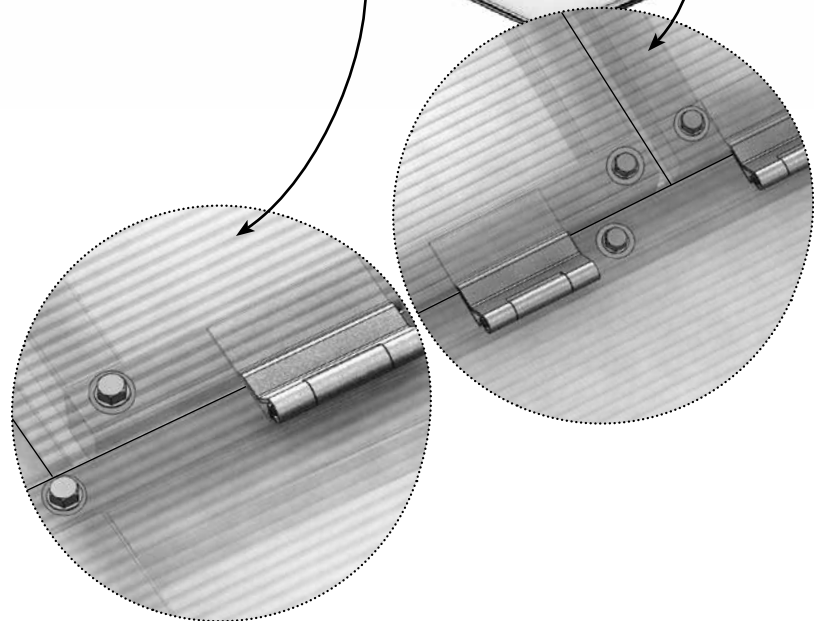
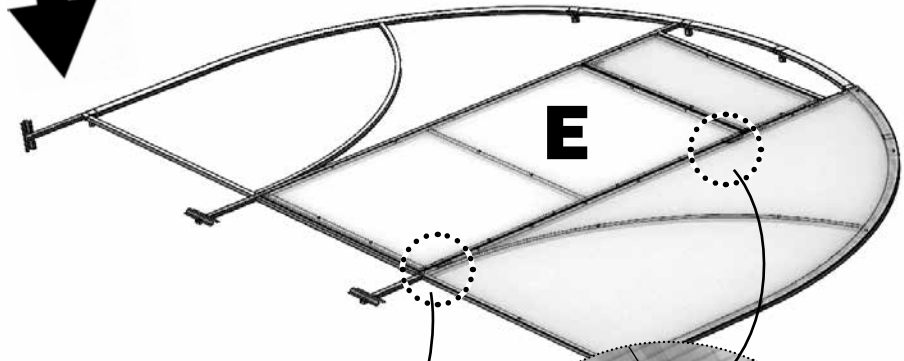
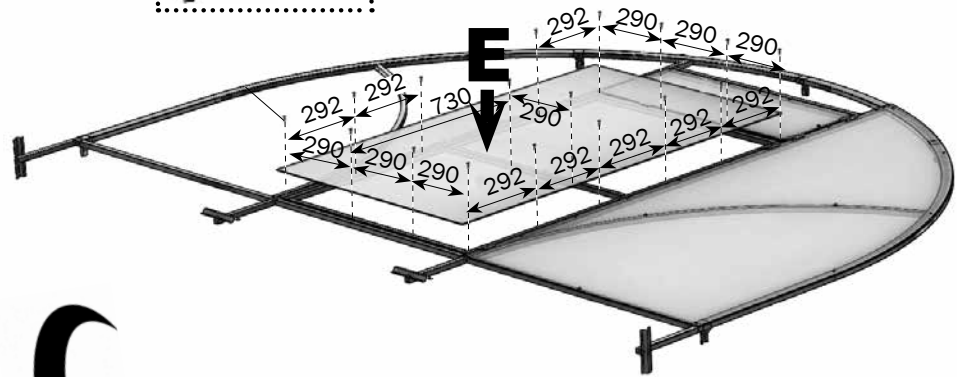


4.2



4.3

№4 x17



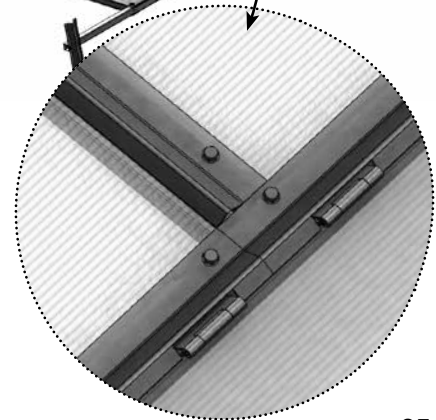
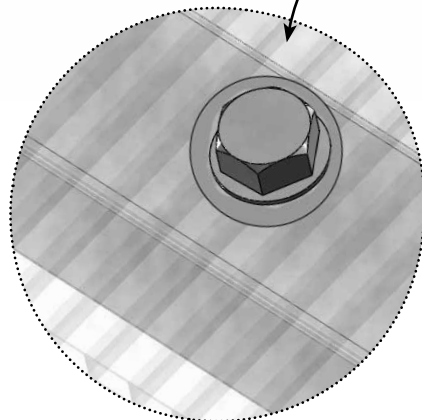
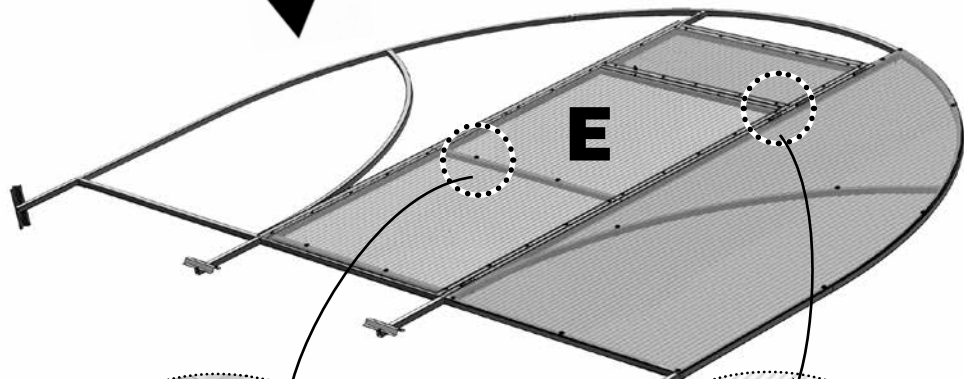
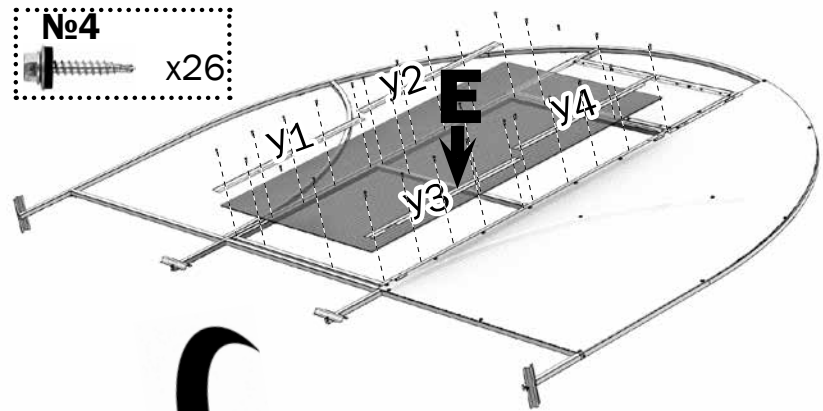
№8\* y1 x1

№8\* y2 x1

№8\* y3 x1

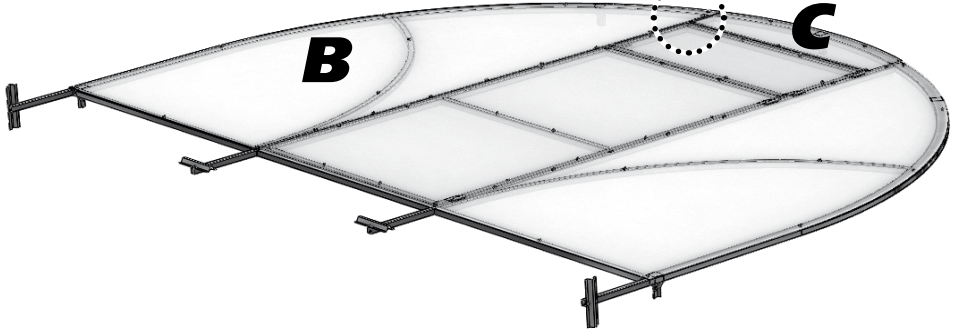
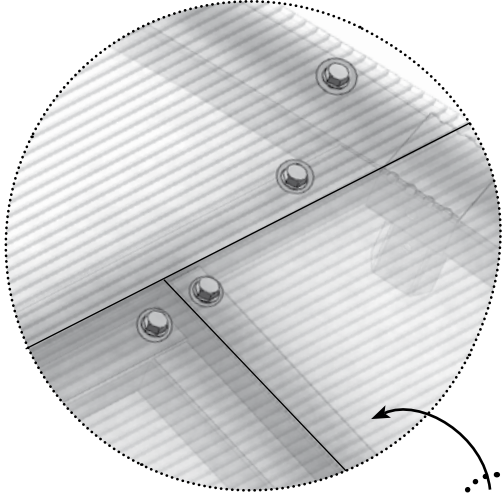
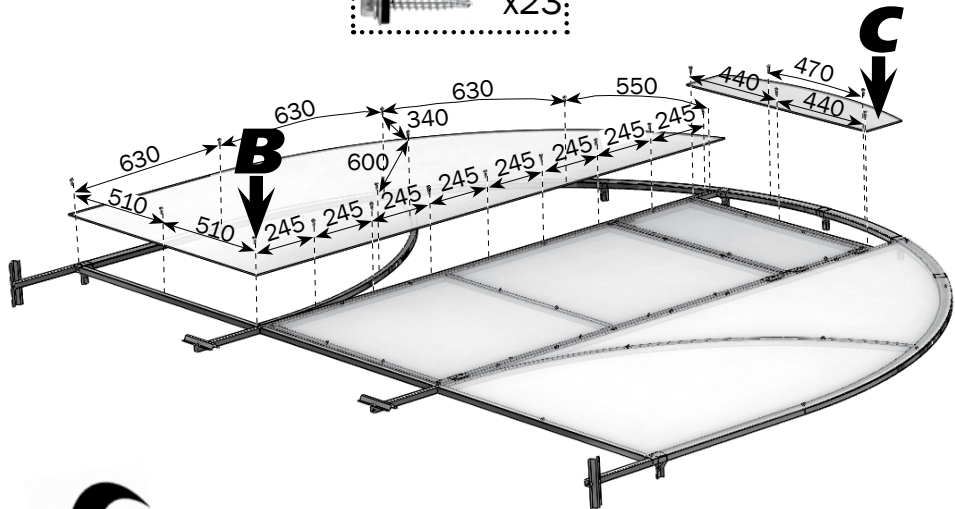
№8\* y4 x1

№4 x26



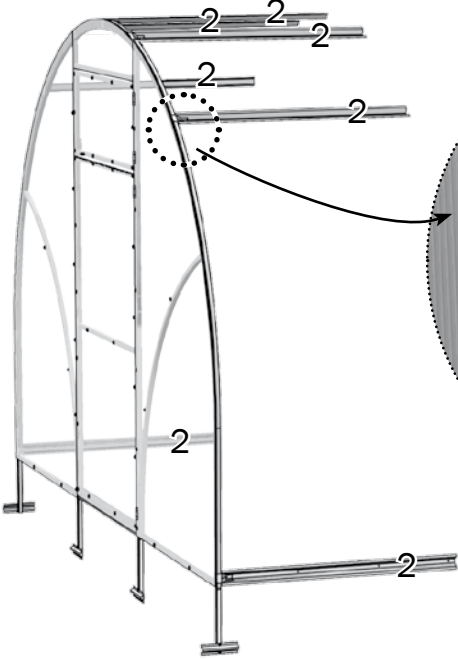
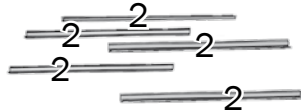
# 4.4

**№4**  
x23

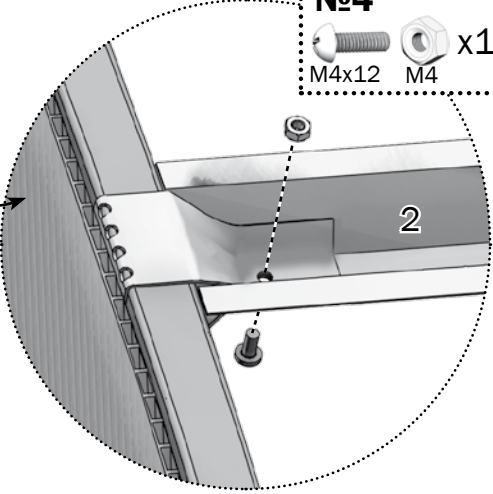


# 5.1

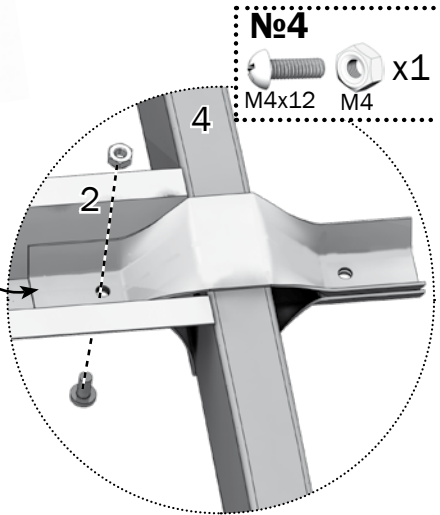
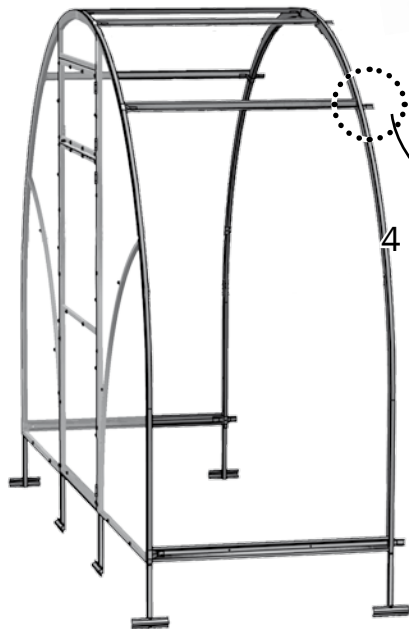
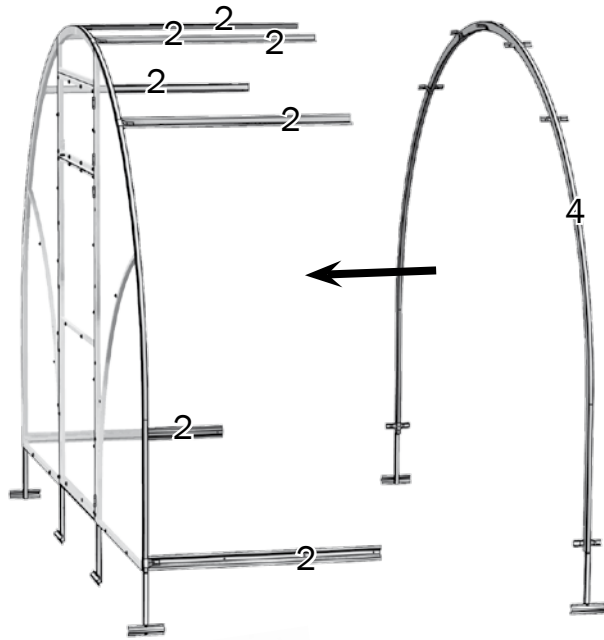
**№1**  
x7



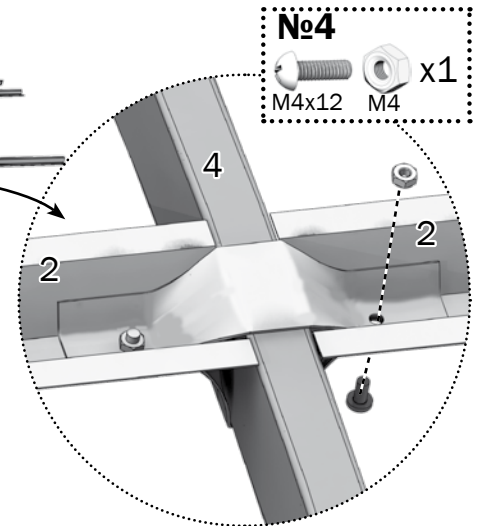
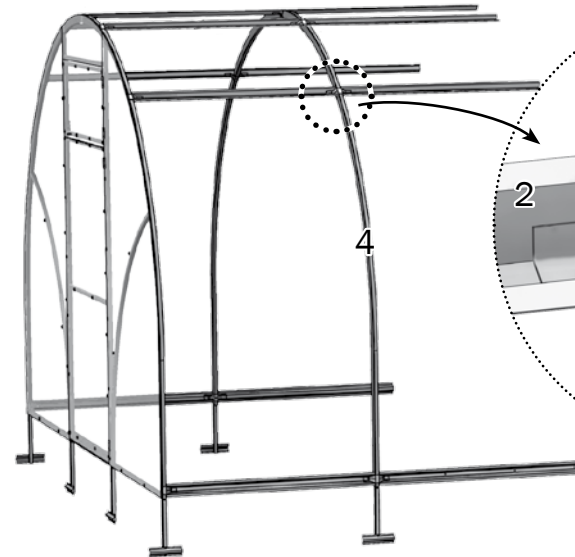
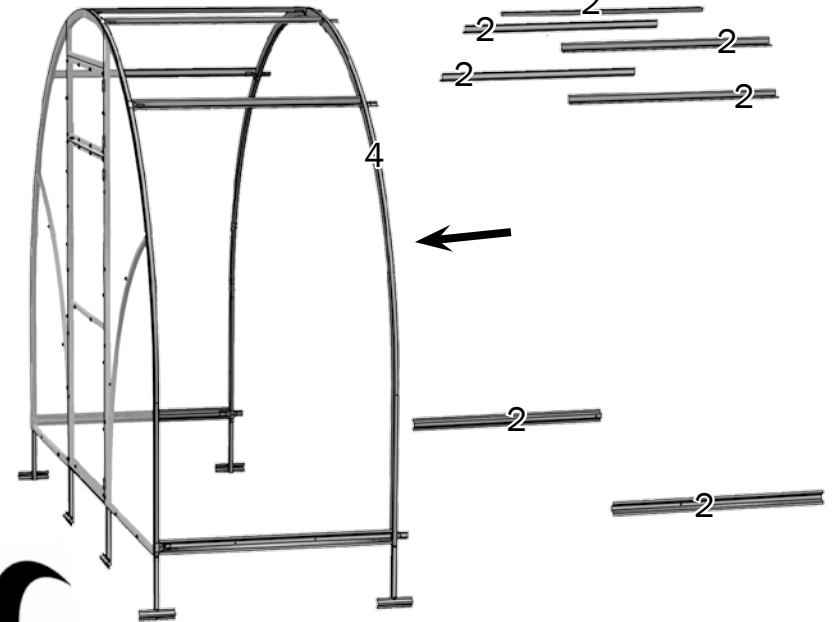
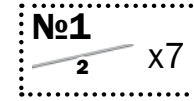
**№4**  
M4x12 M4 x1



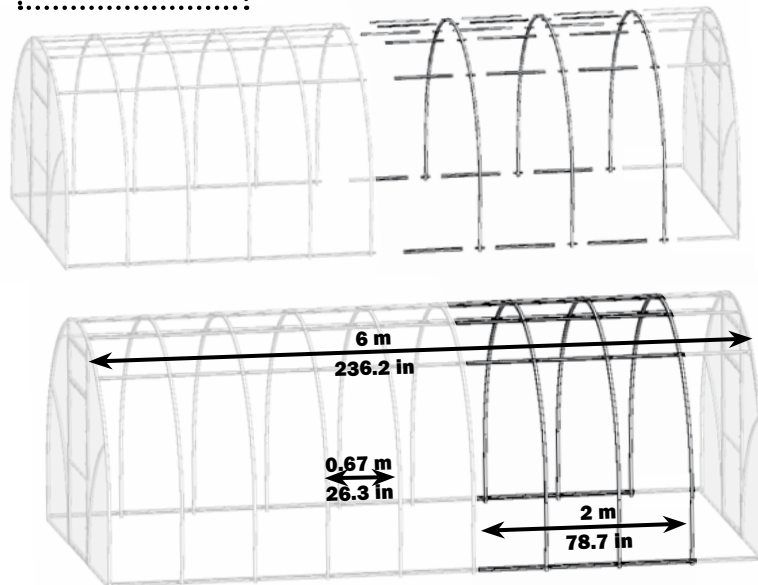
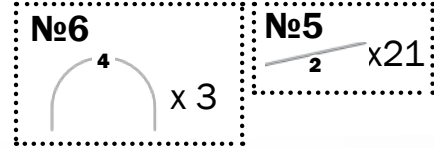
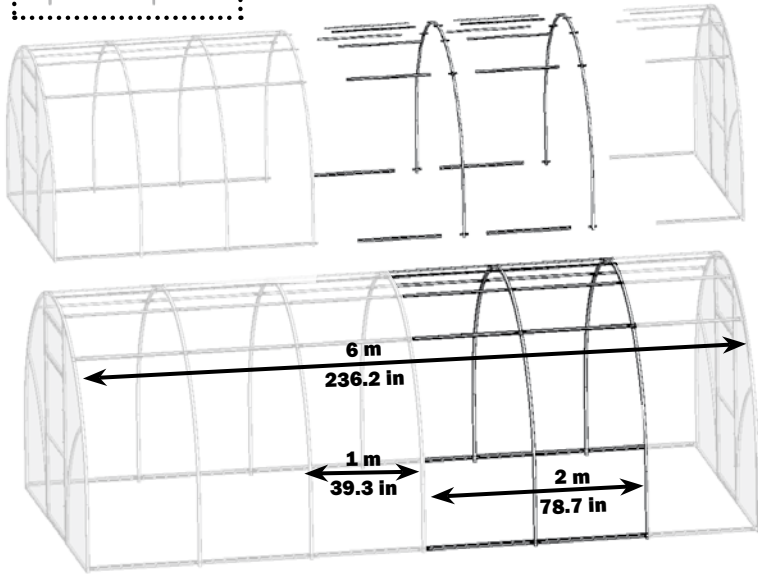
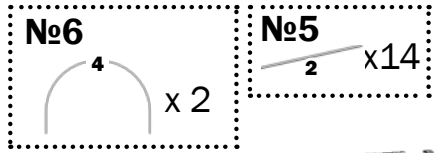
**5.2**



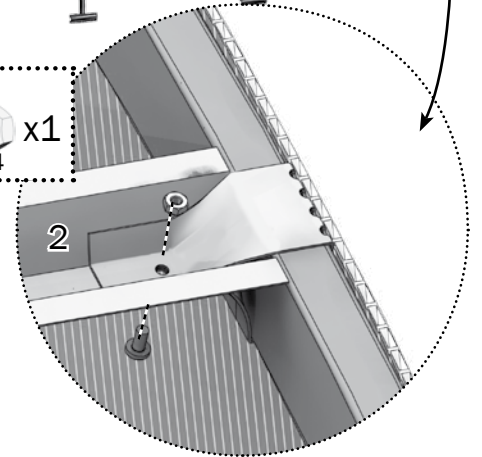
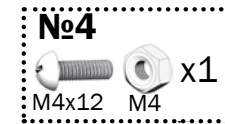
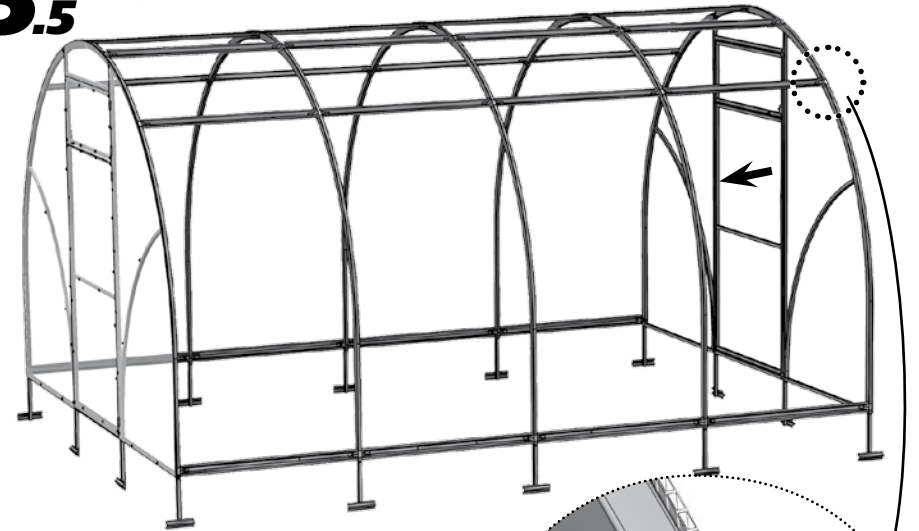
**5.3**



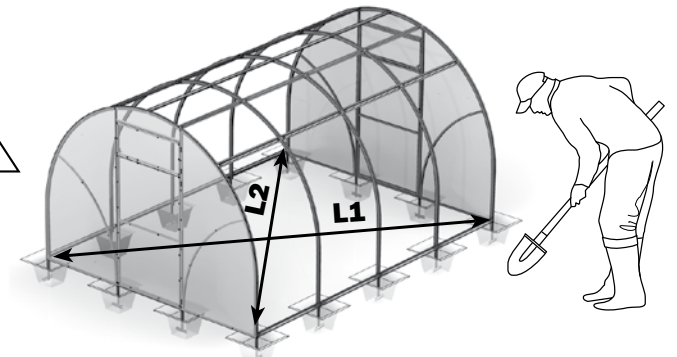
# 5.4



# 5.5

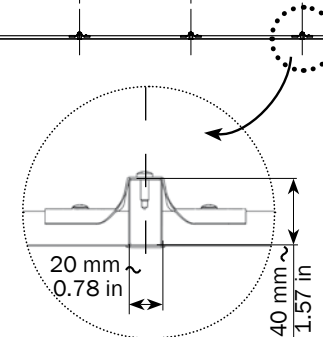
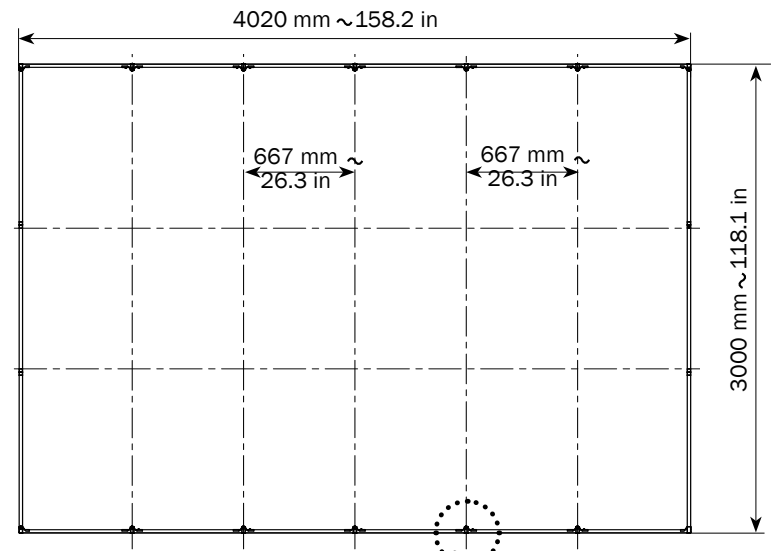
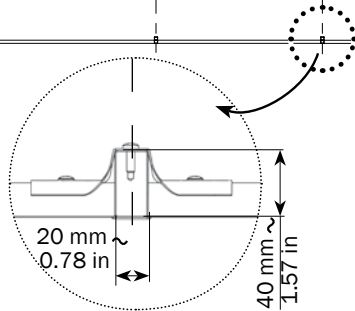
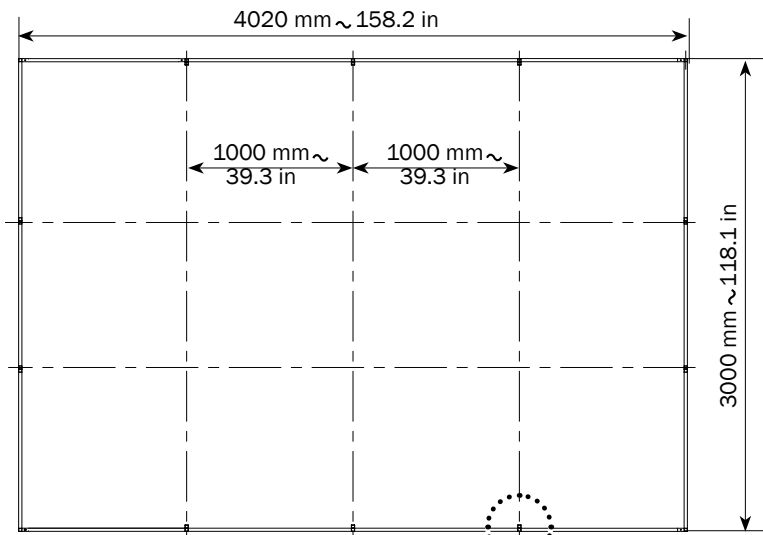
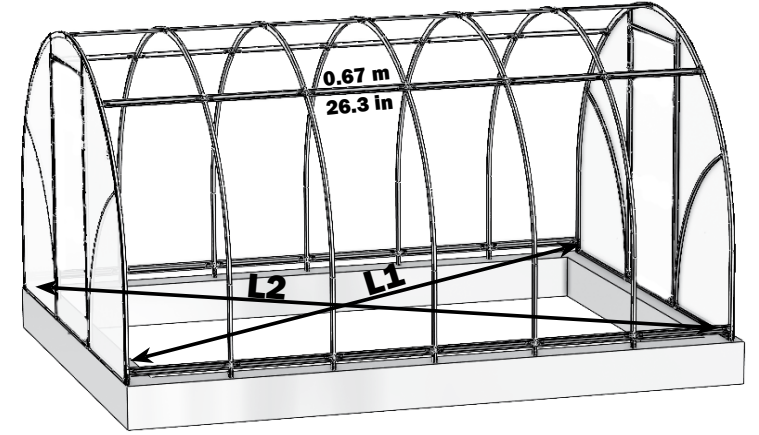
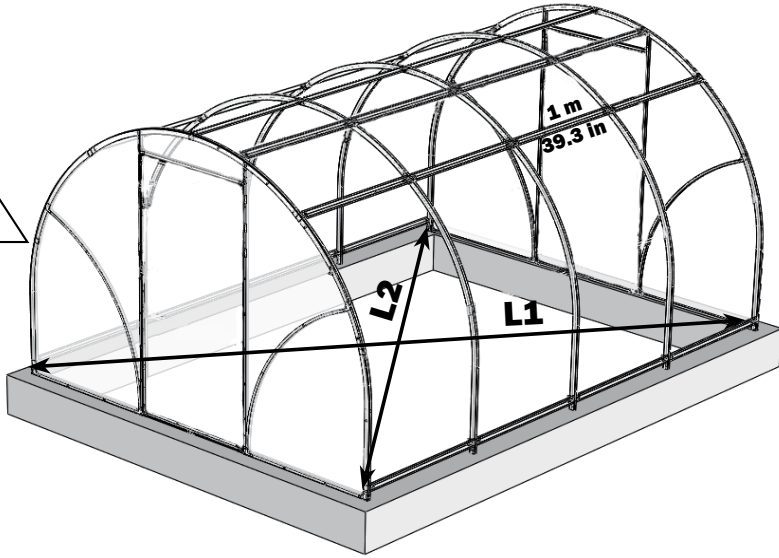


# 6.1

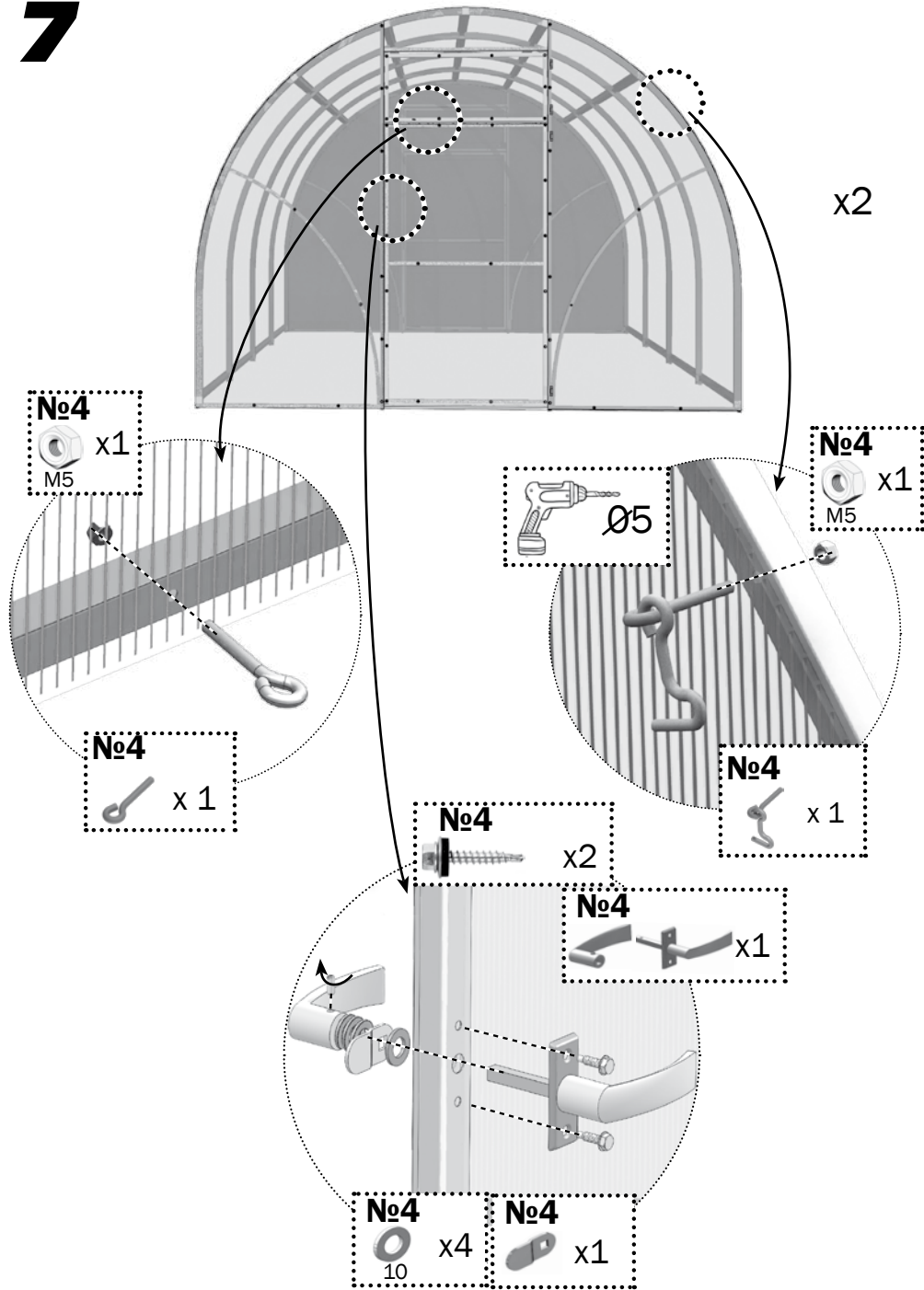




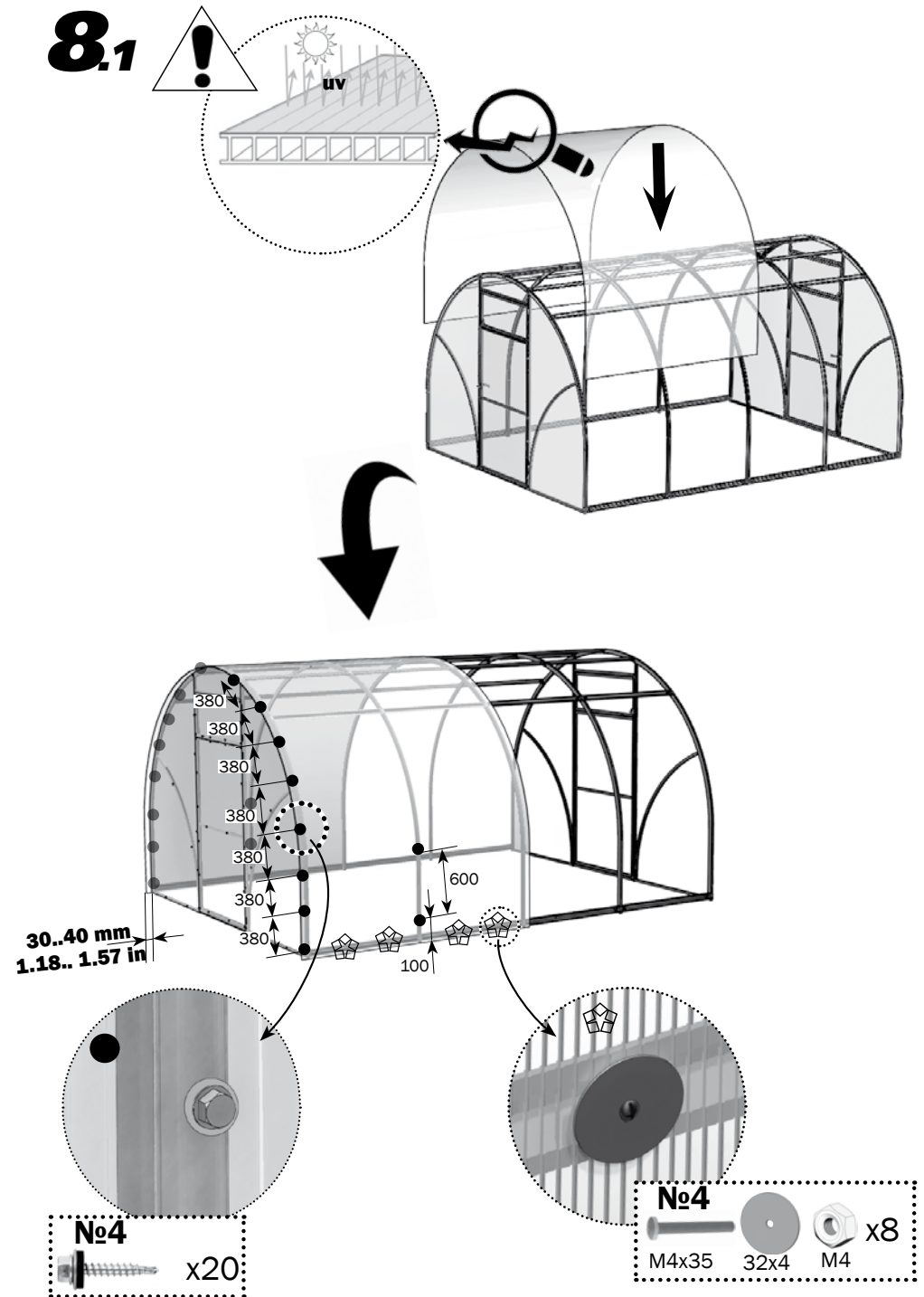
# 6.2



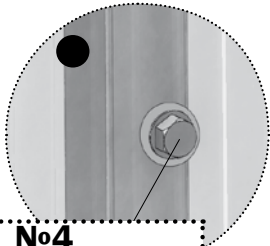
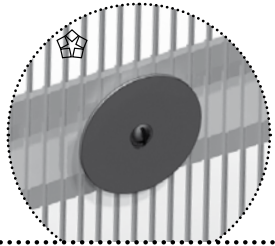
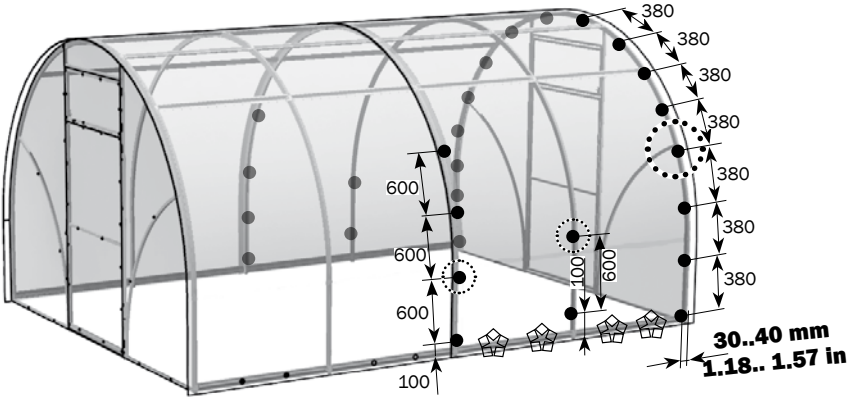
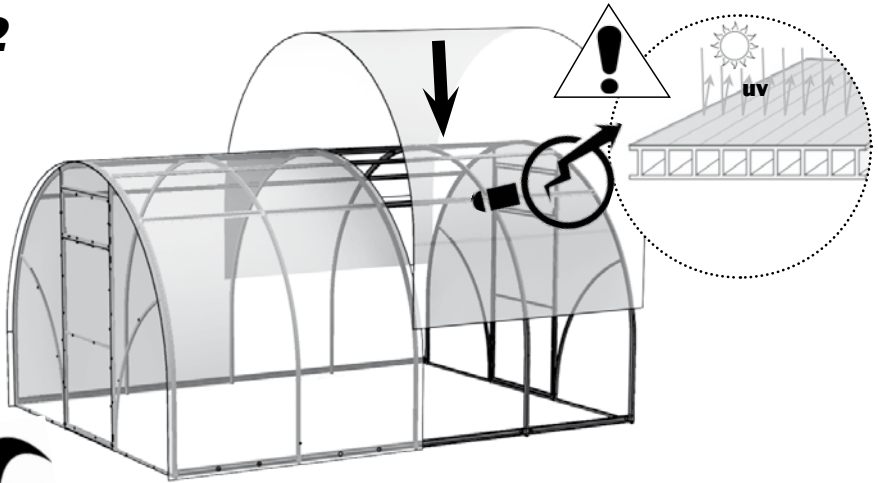
# 7



# 8.1



# 8.2



**№4**  
M4x35 32x4 M4 x8

**№4**  
x28